

8

7

6

5

4

3

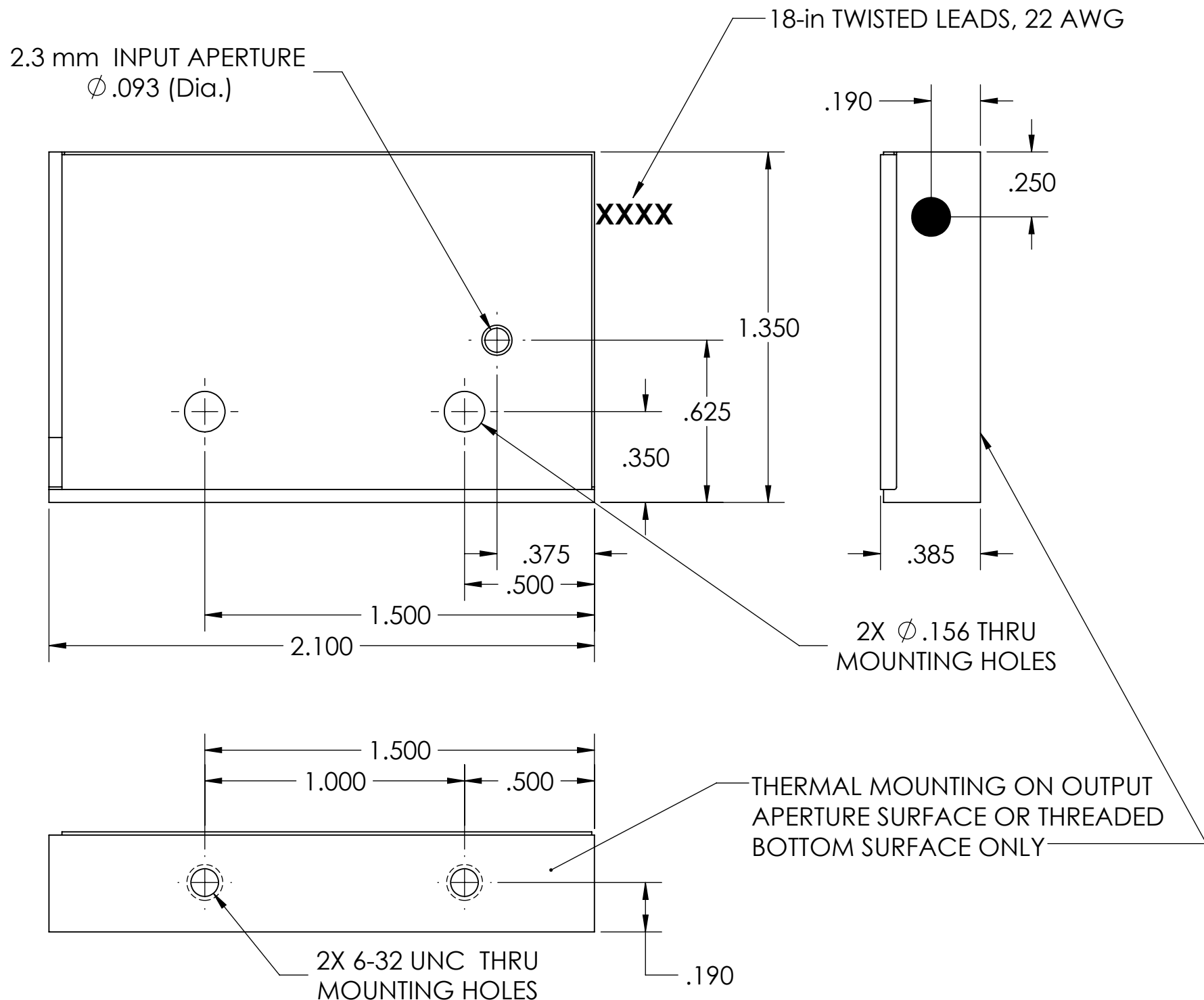
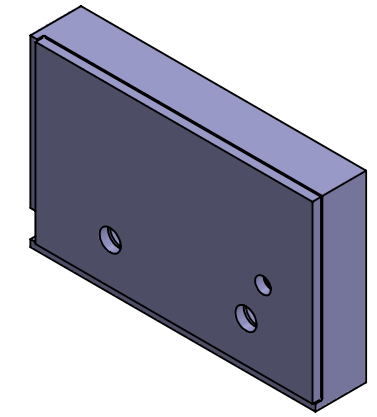
2

1


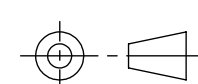
**NOTES (UNLESS OTHERWISE SPECIFIED):**

- 1. ALL COMPONENTS AND MATERIALS OF THIS ASSEMBLY OR PART MUST BE CERTIFIABLY ROHS COMPLIANT.
- 2. 3D DATA BASE SHALL BE USED IN CORRELATION WITH THIS DRAWING FOR FEATURES NOT DIMENSIONED ON FACE OF THIS DRAWING.
  - 1. 3D MODEL (STEP) FILE AVAILABLE UPON REQUEST
- 3. ASSEMBLE PER NM LASER PROCEDURE SPECIFICATIONS

REVISIONS				
ECO#	REV.	DESCRIPTION	DATE	APPROVED
	A	INITIAL RELEASE	12/06/2019	M.K.



NM LASER LST4WBK SPECIFICATIONS	
SHUTTER CLASS	SAFETY / PROCESS
APERTURE DIAMETER	2.3 mm
TYPICAL BEAM DIAMETER	1.0 mm
MAX. CW OPTICAL POWER	2 W
THERMAL POWER DISSIPATION	4W HOLD OPEN, 10W @ 50 Hz
ENERGIZE	APPLY 24 VDC for 4 ms
HOLD OPEN	APPLY 10 VDC CONTINUOUS
MINIMUM HOLD VOLTAGE	9.5 VDC
MAX. SHUTTER REP RATE	50 Hz
SWTCHING SPEED	1 ms + 2 ms COMMAND DELAY
NOMINAL COIL IMPEDANCE	22 Ohms
POSITION SENSORS	NOT AVAILABLE
WIRE HARNESS	TWISTED 2-LEAD, 22 AWG
CONNECTOR	FLYING LEADS, OR ANY 2-PIN

DIMENSIONS ARE IN INCHES TOLERANCES: ANGULAR: $\pm 1^\circ$ ONE DECIMAL: X.X $\pm .1$ TWO DECIMAL: X.XX $\pm .015$ THREE DECIMAL: X.XXX $\pm .005$	NAME	DATE		
	DRAWN	B.L.		12/02/19
	CHECKED	M.K.		12/06/19
	ENG APPR.			
TITLE: <b>SHUTTER, LST200, LST200SLP</b>			SIZE DWG. NO. REV <b>B LST200SLP A</b>	
MFG APPR. Q.A. 3RD ANGLE PROJECTION				
DO NOT SCALE DRAWING				
SCALE: 2:1		SHEET 2 OF 2		

PROPRIETARY AND CONFIDENTIAL  
 THE DESIGN INFORMATION CONTAINED HEREIN IS THE SOLE PROPERTY OF NM LASER PRODUCTS, INC. THE DISCLOSURE OF THIS INFORMATION DOES NOT CONSTITUTE THE RELEASE OF THE PROPRIETARY RIGHTS THEREOF, BUT IS TO BE USED FOR INFORMATION PURPOSES ONLY WHEN NECESSARY. PERMISSION TO REPRODUCE THIS INFORMATION OF THE PRODUCT DESCRIBED HEREIN MUST BE OBTAINED IN WRITING FROM NM LASER PRODUCTS, INC.

8

7

6

5

4

3

2

1